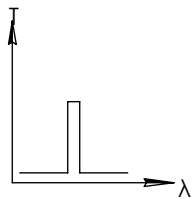
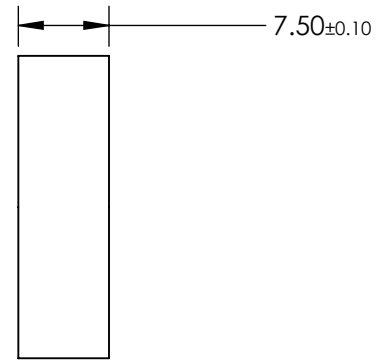
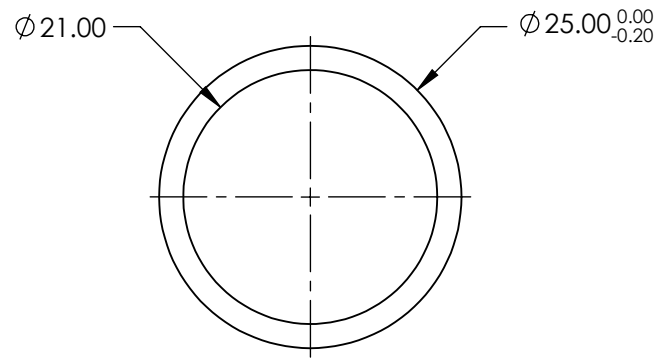
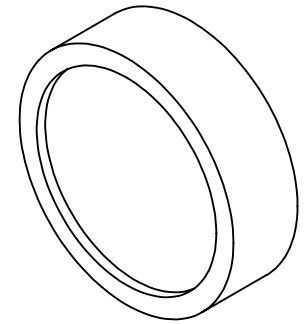


**FOR INFORMATION ONLY:
DO NOT MANUFACTURE
PARTS TO THIS DRAWING**



BANDPASS FILTER

	VALUE
OPTICAL DENSITY	≥ 4.0
CENTER WAVELENGTH (CWL)	$1550 \pm 2.5 \text{ nm}$
FULL WIDTH HALF MAX (FWHM)	$12 \pm 2.5 \text{ nm}$
MINIMUM TRANSMISSION	$> 70 \%$
BLOCKING	200 - 1800nm
SURFACE QUALITY	80-50
CONSTRUCTION	MOUNTED IN BLACK ANODIZED RING
COATING TYPE	TRADITIONAL COATED

SPECIFICATIONS SUBJECT TO CHANGE WITHOUT NOTICE
DIMENSIONS ARE FOR REFERENCE ONLY



ALL DIMS IN

mm

TITLE

$\varnothing 25\text{mm}$, 1550nm x 10nm, MOUNTED
BANDPASS FILTER

DWG NO

65793

SHEET
1 OF 1